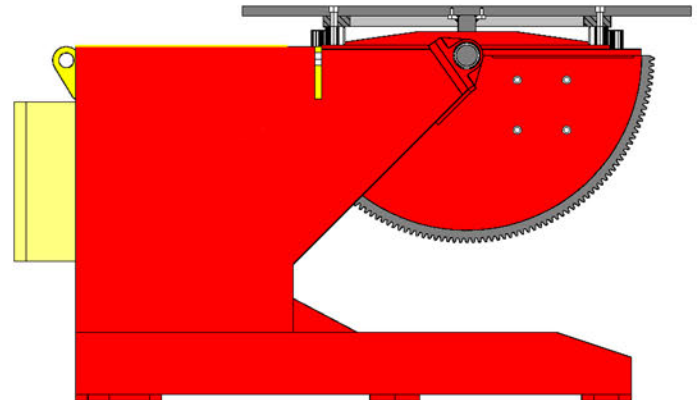
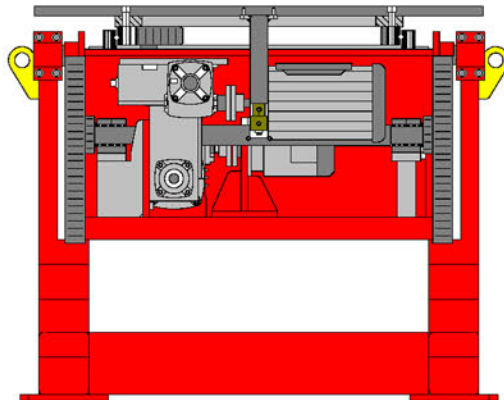


PE35-2.2-C-WE-E

Harbach Positioning Positioner Model PE35-2.2C-WE-E Series is designed to give maximum positioning flexibility by using the tilt and rotation of the table to manipulate the work piece into the correct 'down hand' position for welding or to position accurately for assembly and manufacturing requirements. The table is machined with four radial slots for anchor bolts and centric marking on the surface table, a set of tapered bearing mounted below the table to give a smooth and constant turning during operation. AC motor driven, and controlled by an AC inverter system. A variable speed controlled by a standard control pendant with low voltage push button and potentiometer with a 6-meter control cable built in. Tilt movement is electrically powered driven by 11KW AC motor with dynamic braking through reducer gearbox. Built in with 800amps rotary clamp to ensure good earthing to the welding power source.

Table diameter 2200mm or as specified by the customer.



Specifications

Model: PE35-2.2C-WE-E

Pendant Control: 24VAC circuit, push button with 6 meter cable

Input voltage: 380-415V/3phase/50-60Hz (specify voltage requirement when ordering)

Rotation Capacity: 35 metric tons at 300mm

Rotation Speed: 0.05 to 0.5 rpm

Tilting Capacity: 35 metric tons at 300mm c of g

Tilt Range: 0 to 135 Degrees

Tilt Speed: 135 degrees in 150 seconds

Rotation Drive Motor: 1 x 11 KW motor

Rotation Drive Control: 11KW AC inverter

Tilt Drive Motor: 1 x 11KW motor c/w brake

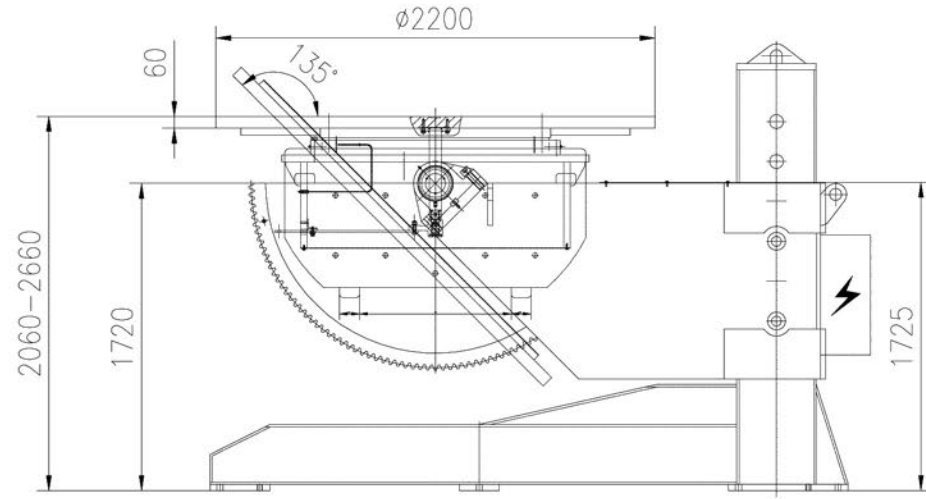
Estimate weight: 10200kg

PE35-2.2-C-WE-E (35 Tonne) (with elevation)

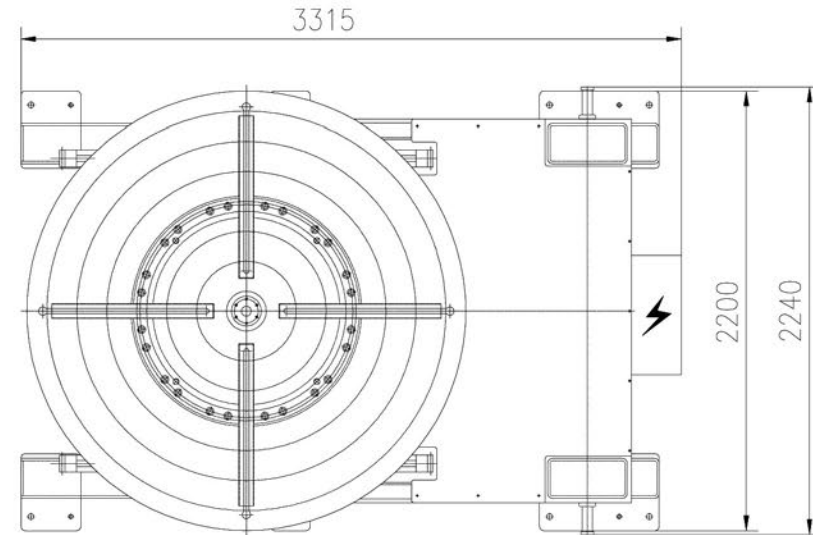
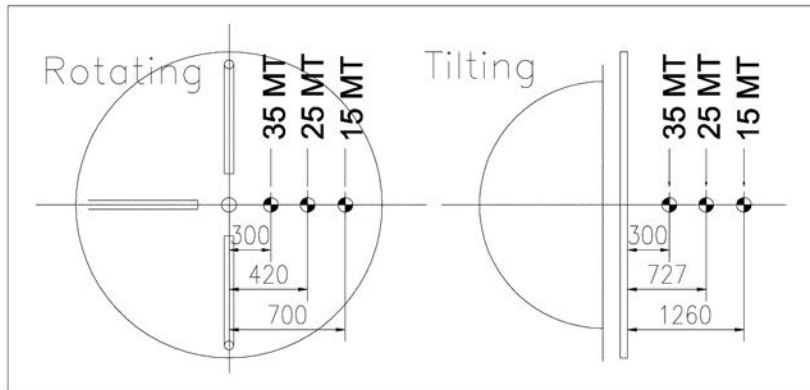
Specifications for Positioner

1	Model	PE35-2.2C-WE-E
2	Capacity	35 Metric Ton
3	Table Size	Dia. 2200mm
4	Rotation Speed	0.05~0.5rpm running at 5~50Hz
5	Tilt Speed	135° in 150s running at 50Hz
6	Tilt Range	0° ~ 135°
7	Electrical Panel	Yes
8	Slots	4x Through Slots
9	Incoming Supply	380/400/415V-3P-50Hz or 440/460/480V-3P-60Hz
10	Control Voltage	24Vac
11	Rotation Drive Control	11kW AC Inverter
12	Rotation Drive	11kW AC Motor c/w Force Cooling Fan
13	Tilt Drive Control	N.A.
14	Tilt Drive	11kW AC Motor c/w Brake
15	Control Means	Via Push Button Pendant c/w 6m Cable
16	Surface Preparation	Gritblast to SA2.5
17	Painting	Lead free, 2 Coats Zinc Phosphate, 1 Coat Polyurethane
18	Colour	RAL3003 Red & RAL9005 Black for tilting box and table
19	Qty	1 Unit
20	Weight	~10200kg

Note:
 1. Input terminals are wired for 400V by default.
 2. This drawing is accurate at the time of preparation and maybe subjected to final design change.



LOAD CHART



CUSTOMER APPROVAL

CHECKED BY:

DRAWN BY: IC

REV	DATE	DESCRIPTION	EDIT BY	REMARKS
CUSTOMER:				
DRAWING NAME: Positioner 35MT				
DRAWING NO.: PE35-2.2C-WE-E				
THE ORIGINAL AND ALL COPIES OF THIS DOCUMENT TOGETHER WITH THE COPYRIGHT THEREOF ARE THE SOLE PROPERTY OF HARBACH-MARKETING, INC. DESIGN AND SPECIFICATIONS ARE SUBJECT TO CHANGE WITHOUT PRIOR NOTICE.				
				SCALE: N.T.S.
				REVISION: 0
				SHEET: 1 OF 1

18-02-2010